



SMD High Current Power Inductors - SDC104RM SERIES

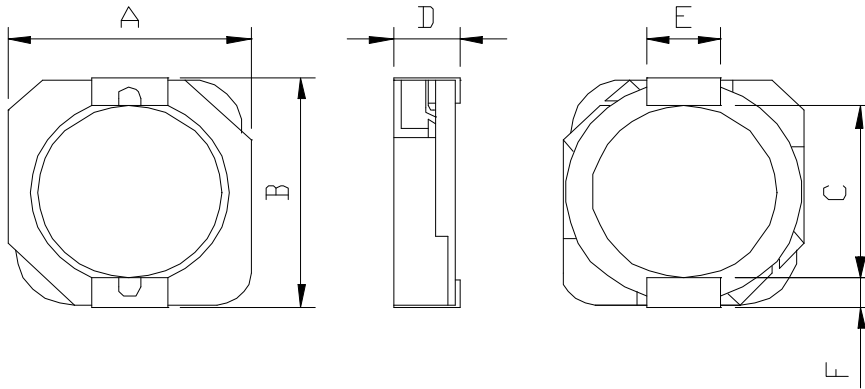


PART NUMBERING SYSTEM

SDC	104RM	—	330M	—	LF
TYPE	DIMENSIONS		INDUCTANCE		LEAD FREE

SHAPES AND DIMENSIONS

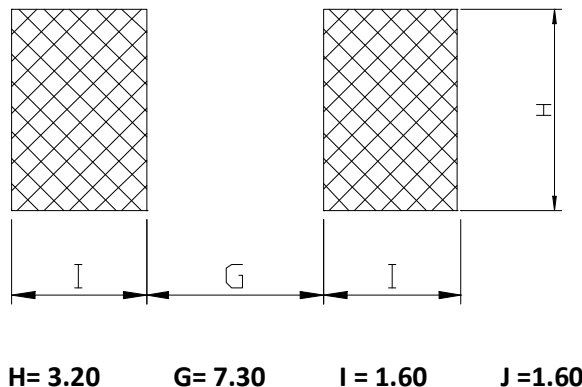
UNIT : mm



A=10.3 max. B=10.4 max. C=7.70 REF D=4.5 max. E=3.0 REF F=1.2 REF

RECOMMENDED PATTERNS

UNIT : mm



FEATURES

- Low profile (4.5mm max. height) and 10.3mmx10.5mm max. square.
- Magnetically shielded and High Current with low DC resistance .

SMD High Current Power Inductors - SDC104RM SERIES



ELECTRICAL CHARACTERISTICS :

PART NUMBER	INDUCTANCE (μ H)	DCR (m Ω) (Max.)	Isat (A) (Max.)	Irms (A) (Max.)	TEST FREQ. (Freq.)
SDC104RM-1R0M-LF	1.0 \pm 20%	5.9	13.6	9.7	100KHz
SDC104RM-1R8M-LF	1.8 \pm 20%	7.6	10.4	9.5	100KHz
SDC104RM-2R8M-LF	2.8 \pm 20%	10.7	8.3	6.1	100KHz
SDC104RM-3R7M-LF	3.7 \pm 20%	14.2	7.0	5.3	100KHz
SDC104RM-4R7M-LF	4.7 \pm 20%	16.2	6.1	5.2	100KHz
SDC104RM-6R4M-LF	6.4 \pm 20%	22.9	5.2	4.8	100KHz
SDC104RM-100M-LF	10 \pm 20%	26.5	4.3	4.5	100KHz
SDC104RM-150M-LF	15 \pm 20%	49.2	3.5	3.7	100KHz
SDC104RM-220M-LF	22 \pm 20%	77.6	3.6	3.4	100KHz
SDC104RM-270M-LF	27 \pm 20%	88.3	2.7	2.4	100KHz
SDC104RM-330M-LF	33 \pm 20%	102	2.4	2.1	100KHz
SDC104RM-470M-LF	47 \pm 20%	191	1.8	1.8	100KHz

- Isat : DC current at which the inductance drops 20% (typ.) from its value without current.
- Irms: The actual current when temperature of coil becomes $\Delta 40^{\circ}\text{C}$. ($T_a = +25^{\circ}\text{C}$)
- Operating temperature range -40°C to $+125^{\circ}\text{C}$, Electrical specifications at 25°C .
- Packing : 13" reel, machine-ready ,embossed plastic tape (1,000 parts per full reel).